



SUBARU

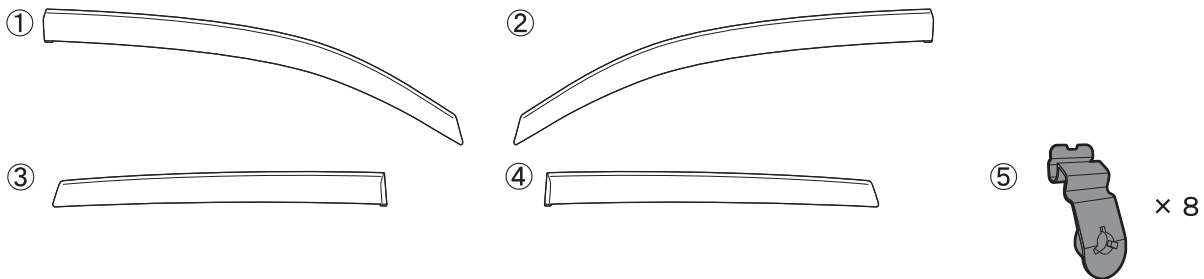
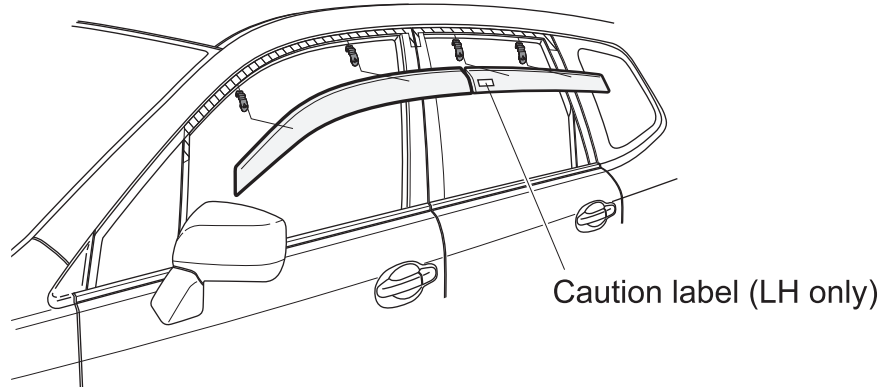
FORESTER

SIDE WINDOW DEFLECTOR

INSTALLATION INSTRUCTION

PART NUMBER

F 0 0 1 0 S G 6 0 0



Gloves



Rag



Isopropyl alcohol



Hair dryer / heat gun

CAUTION

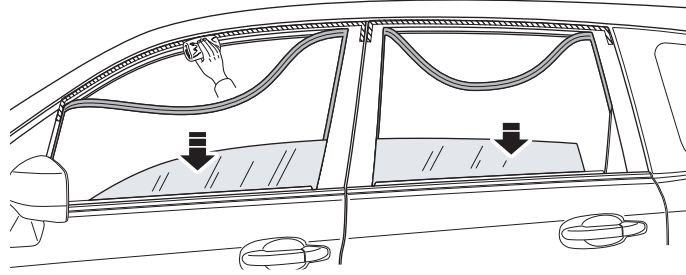
Side window deflectors may not be legal in all states.
Please check the laws of your state.

Never use gasoline, thinner, acid, alkali, or other organic solvent.



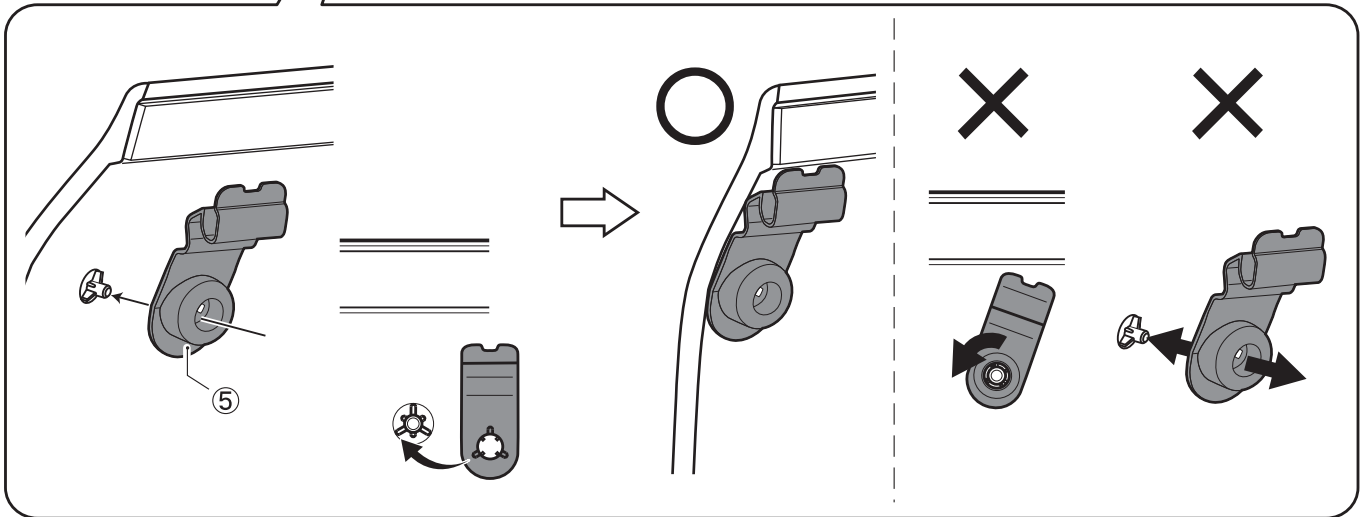
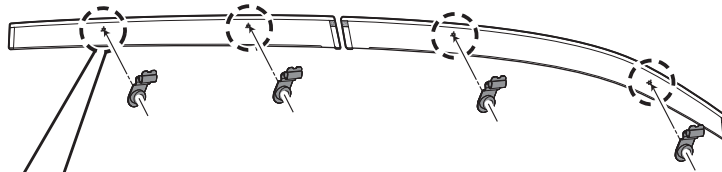
1

- Pull down run channel gaskets in middle area of each window.
Clean where side window deflector will contact the door using isopropyl alcohol and rag.



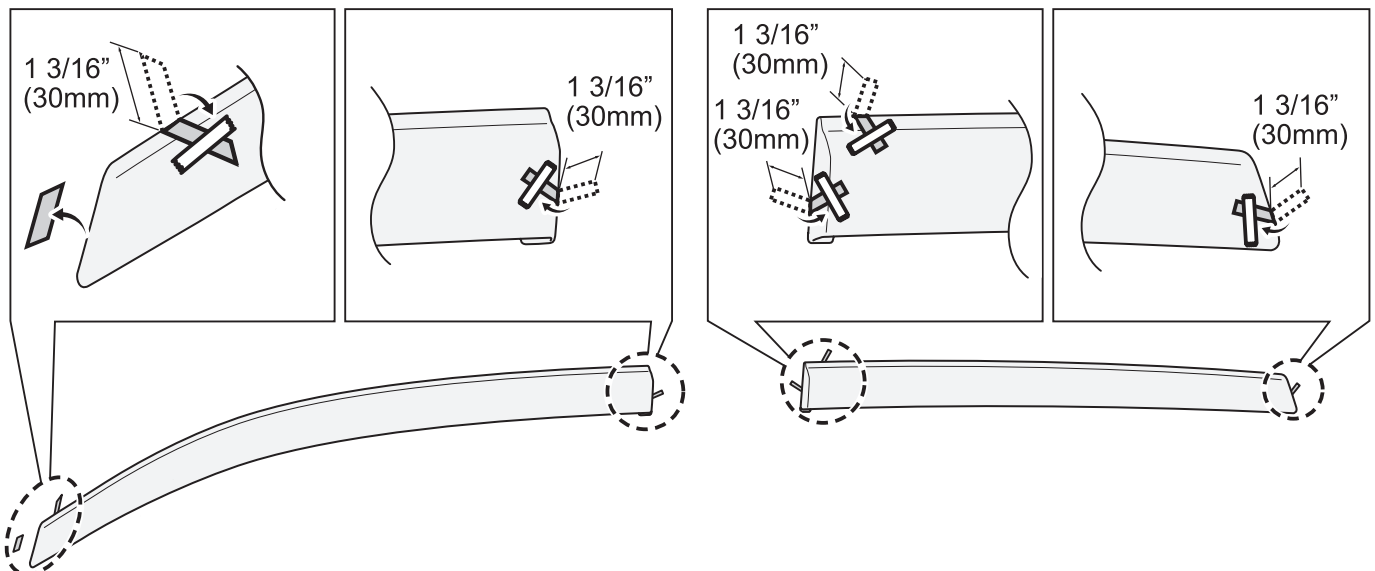
2

- Install clips (5) onto side window deflectors as shown.
Clip must be perpendicular to edge of side window deflector.



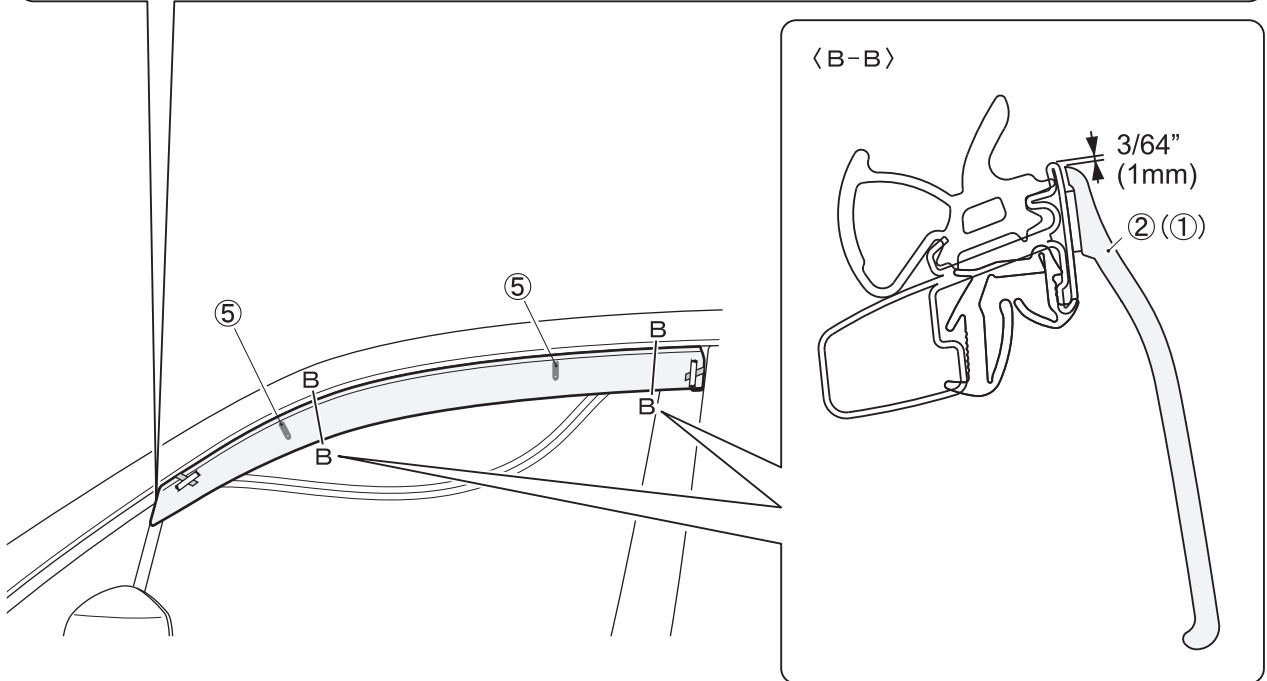
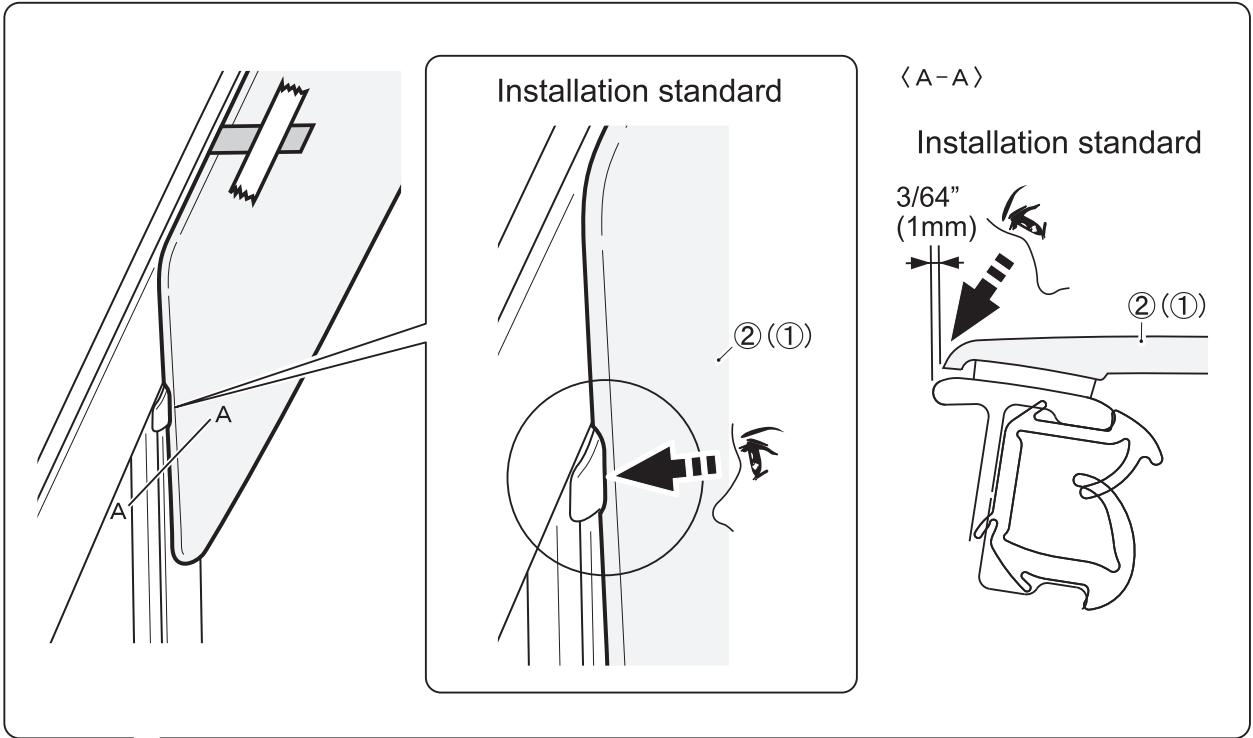
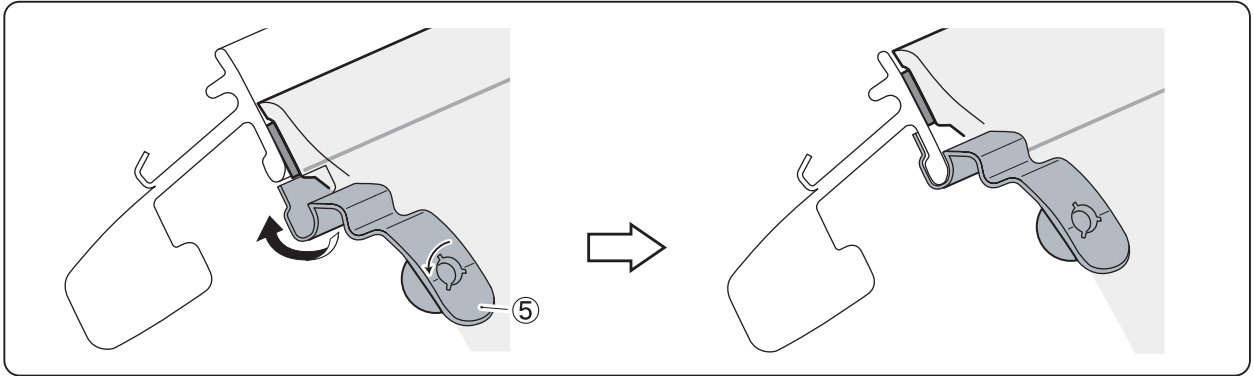
3

- Pull tape backing approximately 1 3/16" (30mm) as shown .

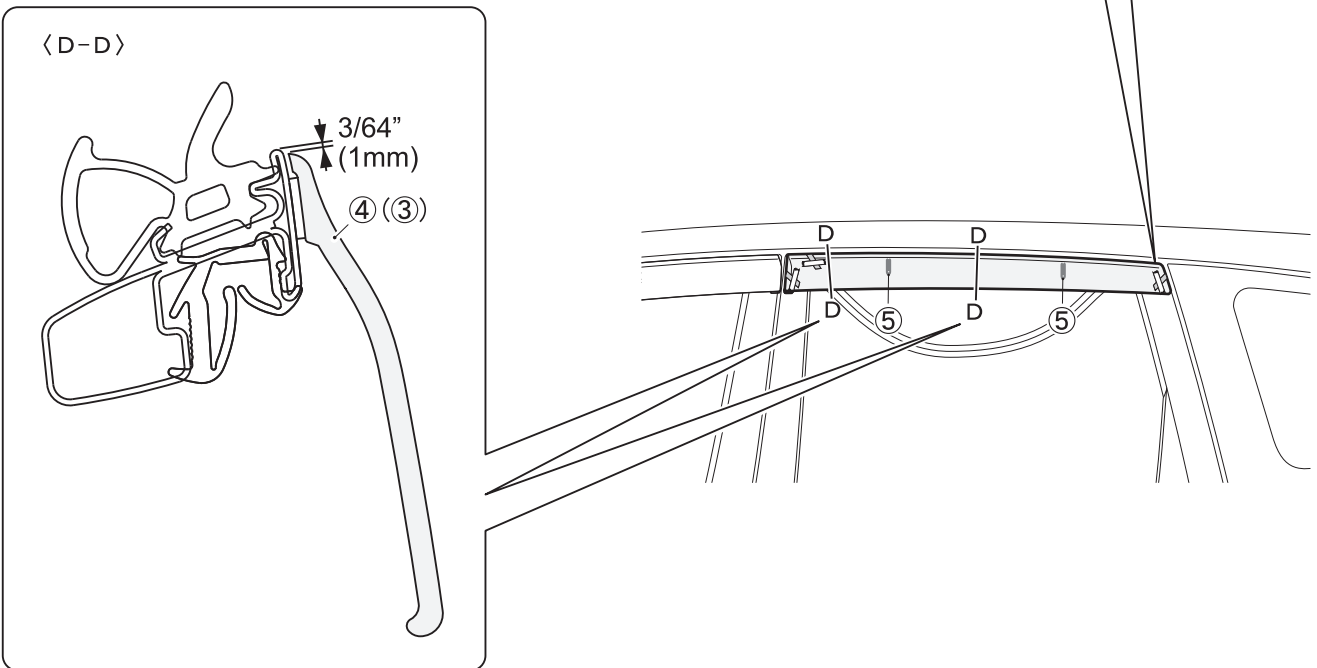
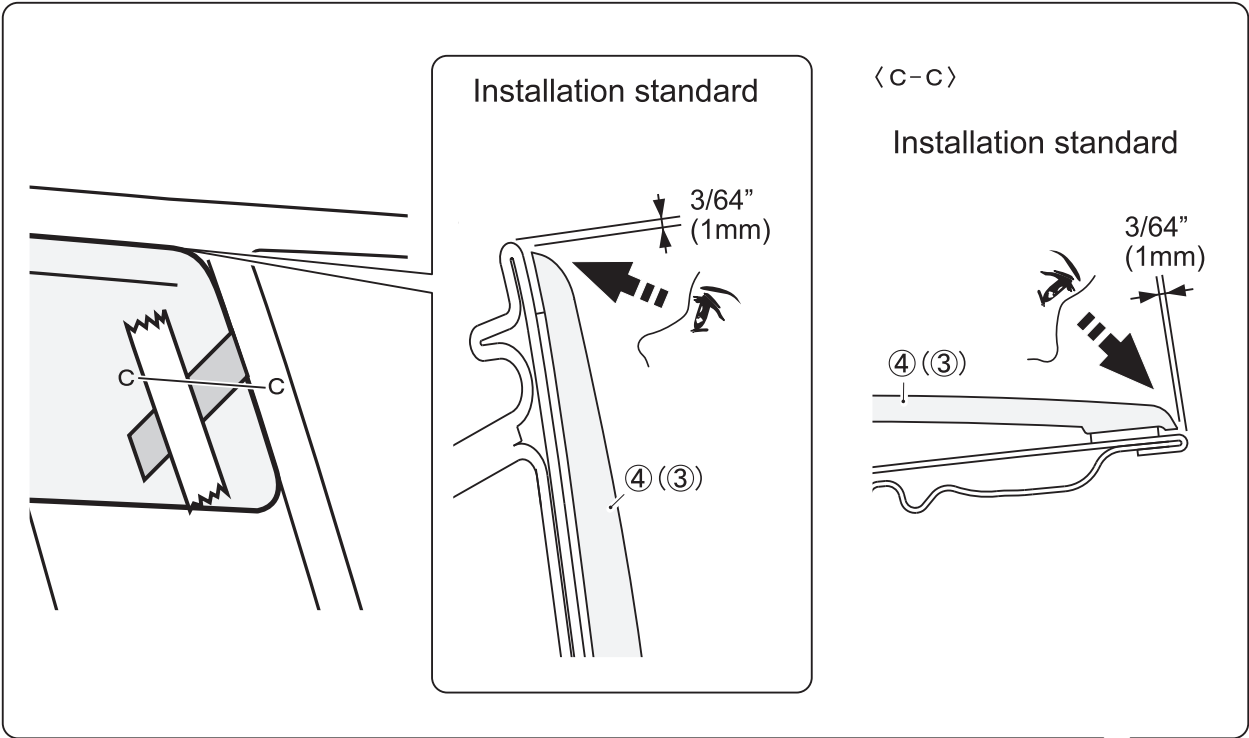
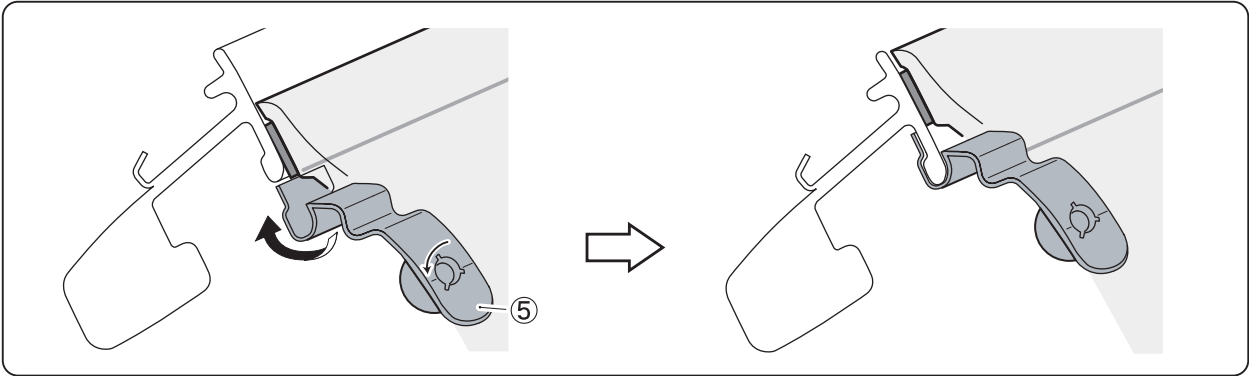


4

- Install the side window deflector making sure the clips (5) attach to the door. Check for proper alignment of side window deflector with front door .

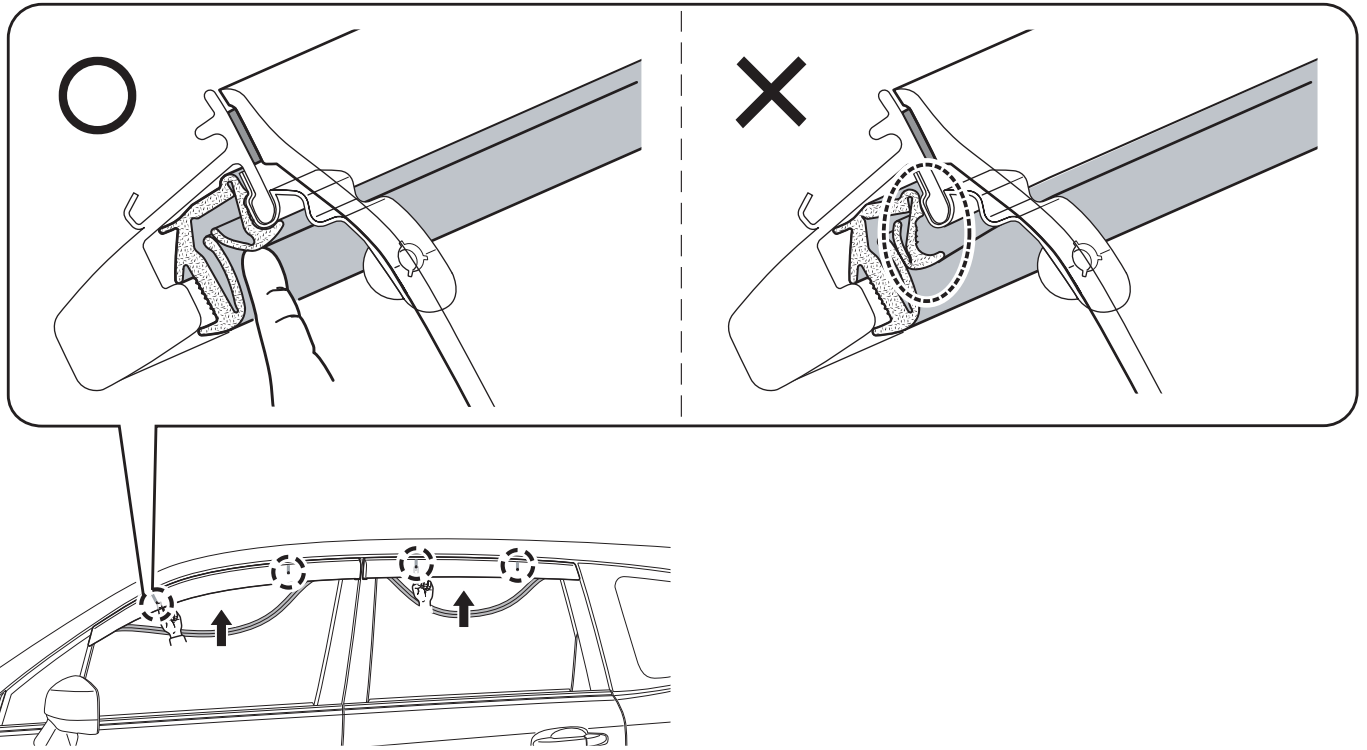


- 5** • Install the side window deflector making sure the clips (5) attach to the door. Check for proper alignment of side window deflector with rear door .



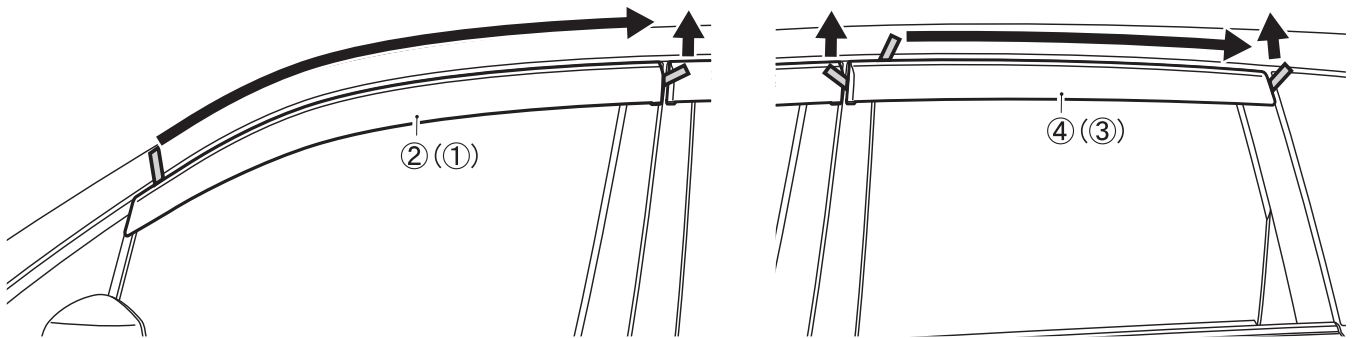
6

• Reinstall the run channel gaskets.



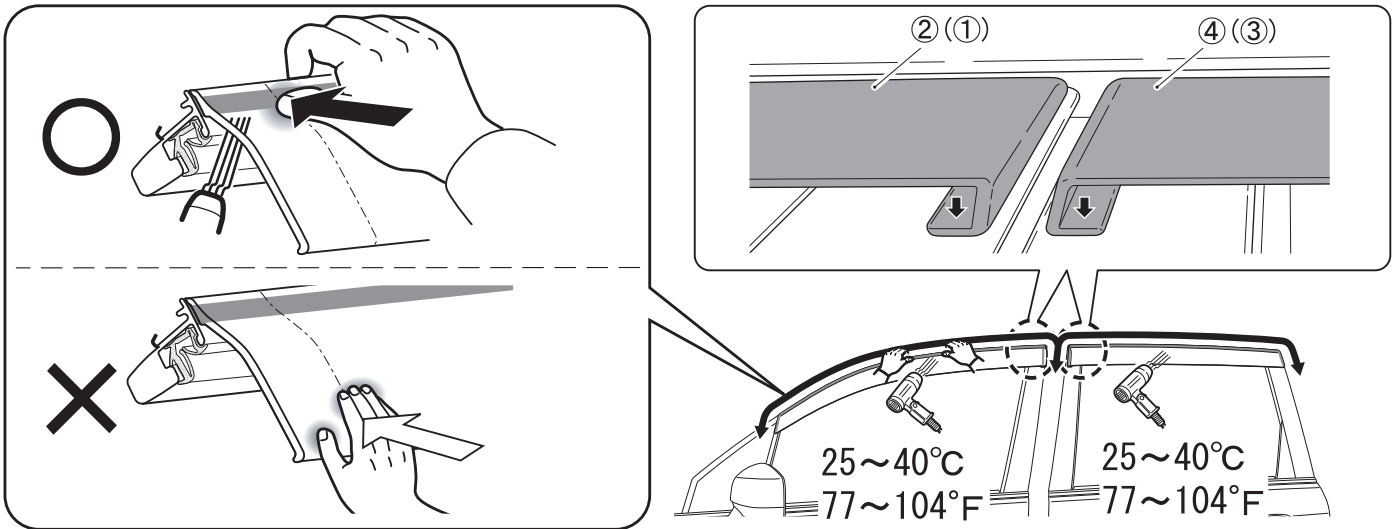
7

• Pull tape backing in order shown.



8

- Apply firm pressure (approximately 12 lbs) on side window deflectors blade directly over tape area.
Do not attempt to seat the tape by pushing on lower portion of the side window deflectors.



15°C (59°F) less only.

9

- Visually check for proper installation.

